

# FISHER & PAYKEL

## REFRIGERATOR FREEZER

---

RF402BRPUX7 FP BI

PRODUCT CODE: 25971-A

PARTS MANUAL

BI

# INTRODUCTION

---

BRAND	VOLTAGE	MODEL	PRODUCT CODE
Fisher & Paykel	220-240V 50Hz	RF402BRPUX7 FP BI	25971-A

---

## MODELS

The models covered by this manual are listed on the front cover. The information detailed in this manual is subject to change without notice. The latest version is indicated by the reprint date and replaces any earlier editions.

## KIT PARTS

Where a part number is shown against the descriptions for kit components, they are also available as separate items. In addition, some parts may be supplied with these kits that are not available as separate items, and are therefore either not listed, or a part number is not shown against the part description in this manual.

## PARTS LIST KEY

NI	As a part reference, indicates the part is not illustrated on the diagram.
NOT USED	As a part number, indicates the diagram part reference is not used in this manual.
NS	As a part number, indicates the part is not servicable.

---

# CONTENTS

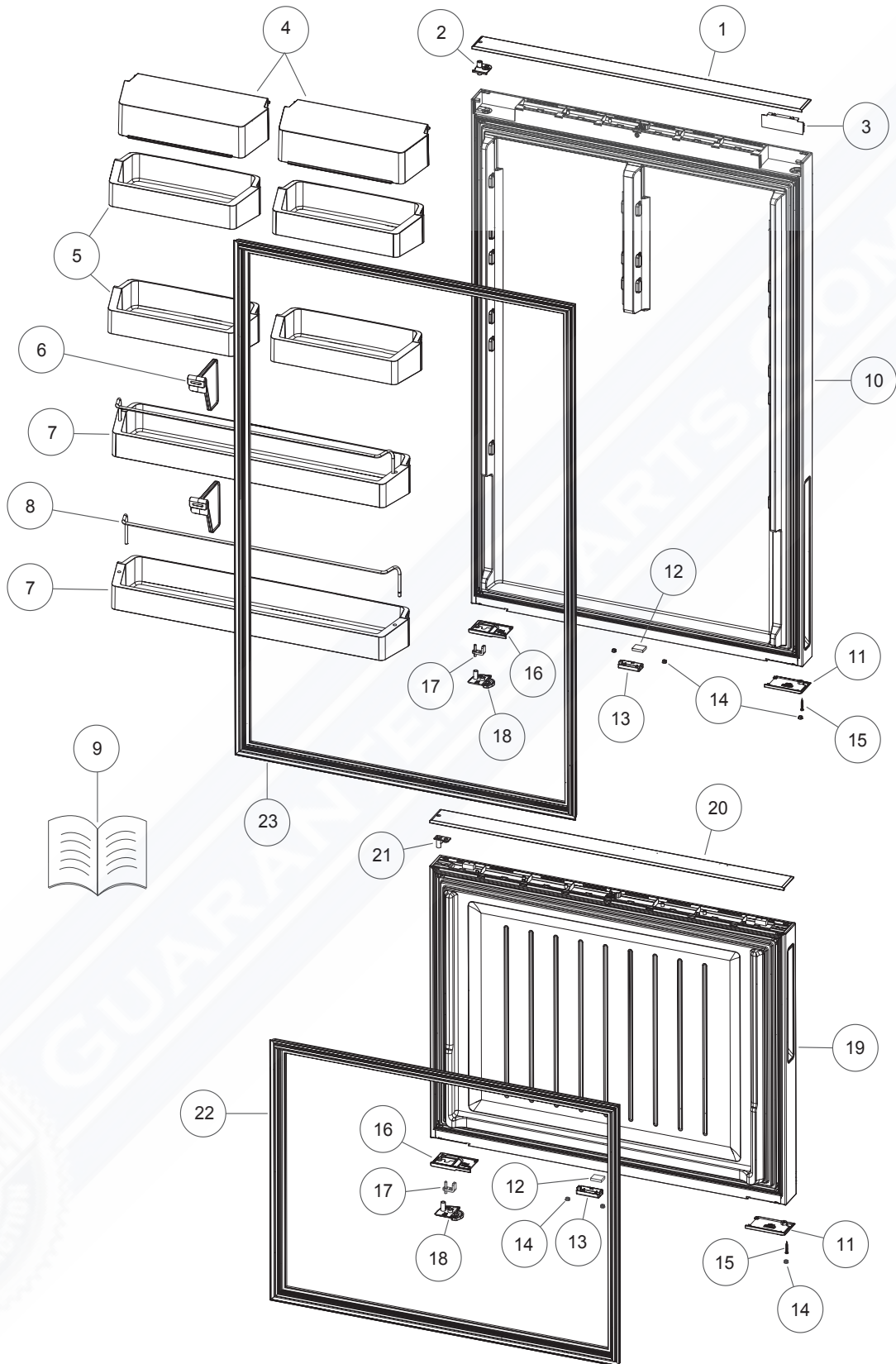
---

INTRODUCTION	1
DOOR COMPONENTS	3
WATER DISPENSER & DISPLAY MODULE	5
CABINET COMPONENTS	7
ICEMAKER COMPONENTS & ICE BIN	13
FAN, COVERS & EVAPORATOR ASSEMBLIES	15
WATER TANK & DUCT COVERS	17
TERMINAL, PLUGS & SOCKETS	19
COMPRESSOR AREA COMPONENTS	21

GUARANTEEDPARTS.COM



# DOOR COMPONENTS



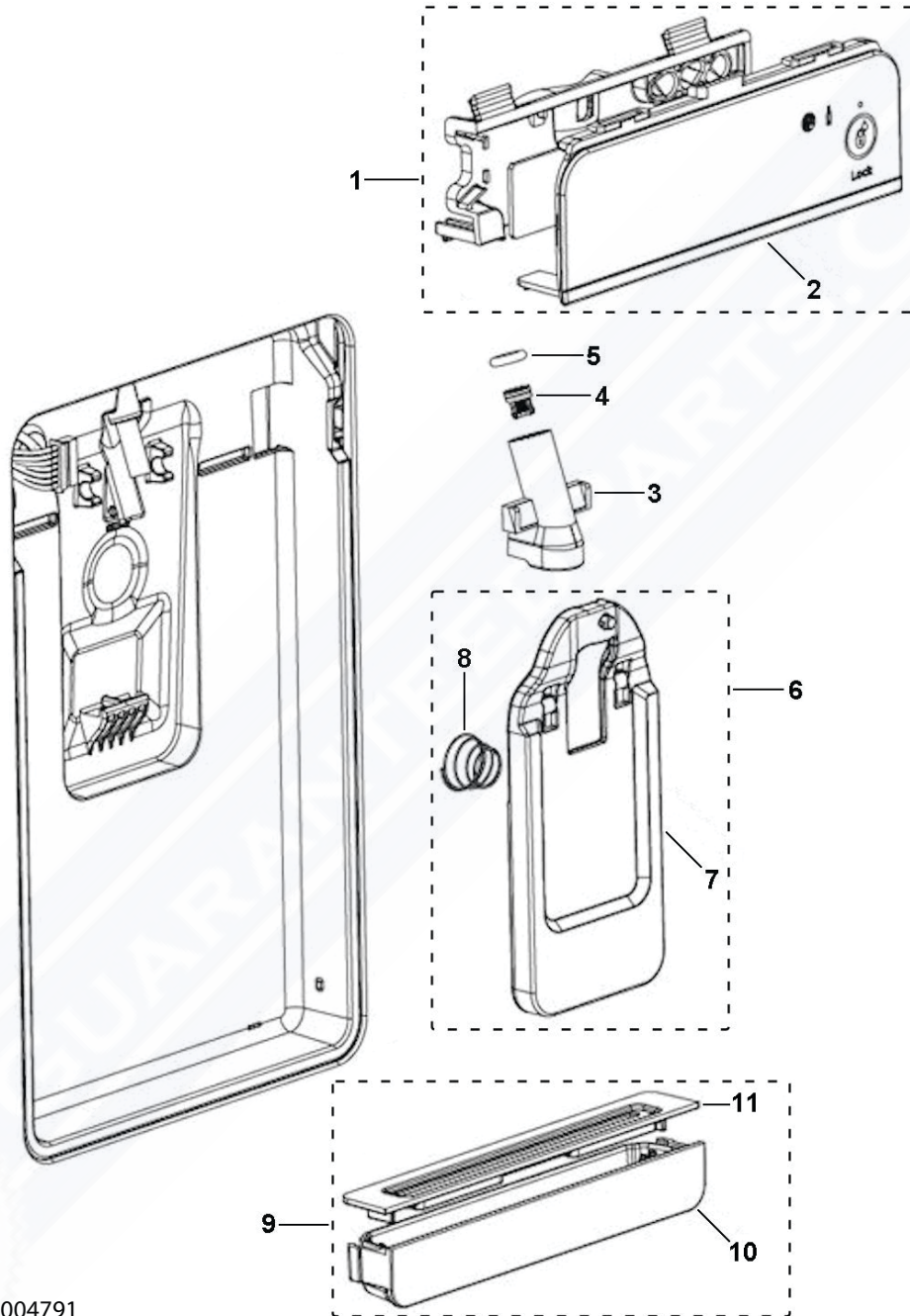
DWG004189

DWG 004189

## DOOR COMPONENTS

REFERENCE	PART NUMBER	PART DESCRIPTION
1	843902	COVER DOOR TOP 635 GR
2	839659	BEARING HINGE WATER RH UD
3	842103	COVER DOOR TOP NONHINGE GR
4	839718	COVER SHELF DAIRY 635
5	839722	SHELF DOOR SOLID 635
6	821805	DIVIDER BOTTLE 522B
7	839716	SHELF DOOR BOTTOM 635
8	839717	RAIL SHELF DOOR 635
9	843023	BOOK USE&CARE BOOK NZ/AU/ROW
10	848384P	DOOR PC 635X1052.5 PU SX2 RH
11	842369P	COVER DOOR BOT NONHINGE RH GR
12	883315	MAGNET DOOR SWITCH ST4
13	842122	COVER MAGNET DOOR UD GR
14	842483P	PLUG DOOR BOTTOM GR
15	817825P	SCREW #8X22 WAFER PH ST TV
16	842372	COVER DR BOT UD HINGE RH GR
17	814537	DOOR STOP ASSY
18	843387	CLOSING HOOK DR STOP RH GR NO FLG
19	849060P	DOOR FC 635X605 P SX2 RH
20	844778	COVER DOOR TOP 635 GR RH
21	813931	BEARING HINGE TOP GR
22	841363P	GASKET FRAME PUSHIN 635B FC
23	841360P	GASKET FRAME PUSHIN 402B PC

# WATER DISPENSER & DISPLAY MODULE



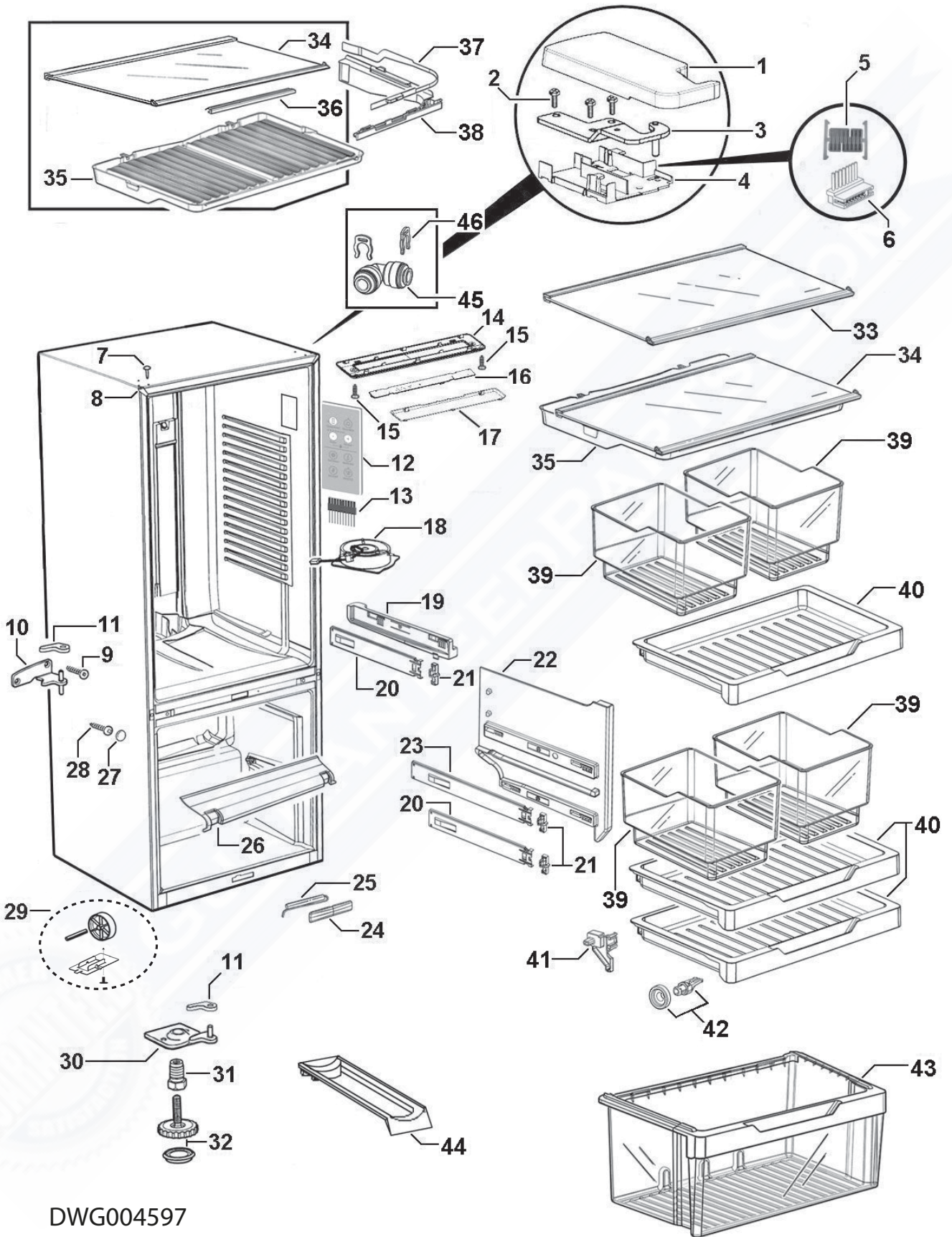
DWG004791

DWG 004791

## WATER DISPENSER & DISPLAY MODULE

REFERENCE	PART NUMBER	PART DESCRIPTION
<b>1</b>	<b>847597P</b>	<b>MOD DIS AS U2 EXT UB</b>
	includes	MOD DIS AS U2 EXT UB
	includes 847298	FASCIA IML WATER DISP UB
<b>2</b>	<b>847298</b>	<b>FASCIA IML WATER DISP UB</b>
<b>3</b>	<b>838115</b>	<b>SPIGOT ASSY WATER DISPENSER</b>
	Includes 837391	CHECK VALVE SPIGOT WATER
	Includes 837390	ORING SPIGOT WATER DISPENSER
<b>4</b>	<b>837391</b>	<b>CHECK VALVE SPIGOT WATER</b>
<b>5</b>	<b>838595</b>	<b>O RING WATER DISP SILICON</b>
<b>6</b>	<b>838114</b>	<b>LEVER ASSY WATER DISPENSER</b>
	Includes 821579	LEVER WATER DISPENSER
	Includes 821883	SPRING LEVER WATER DISPENSER
<b>7</b>	<b>821579</b>	<b>LEVER WATER DISPENSER</b>
<b>8</b>	<b>821883</b>	<b>SPRING LEVER WATER DISPENSER</b>
<b>9</b>	<b>838113</b>	<b>TRAY DRIP ASSY WATER DISPENSER</b>
	Includes 821582	DRIP TRAY CONTAINER
	Includes 821583	DRIP TRAY LID

# CABINET COMPONENTS



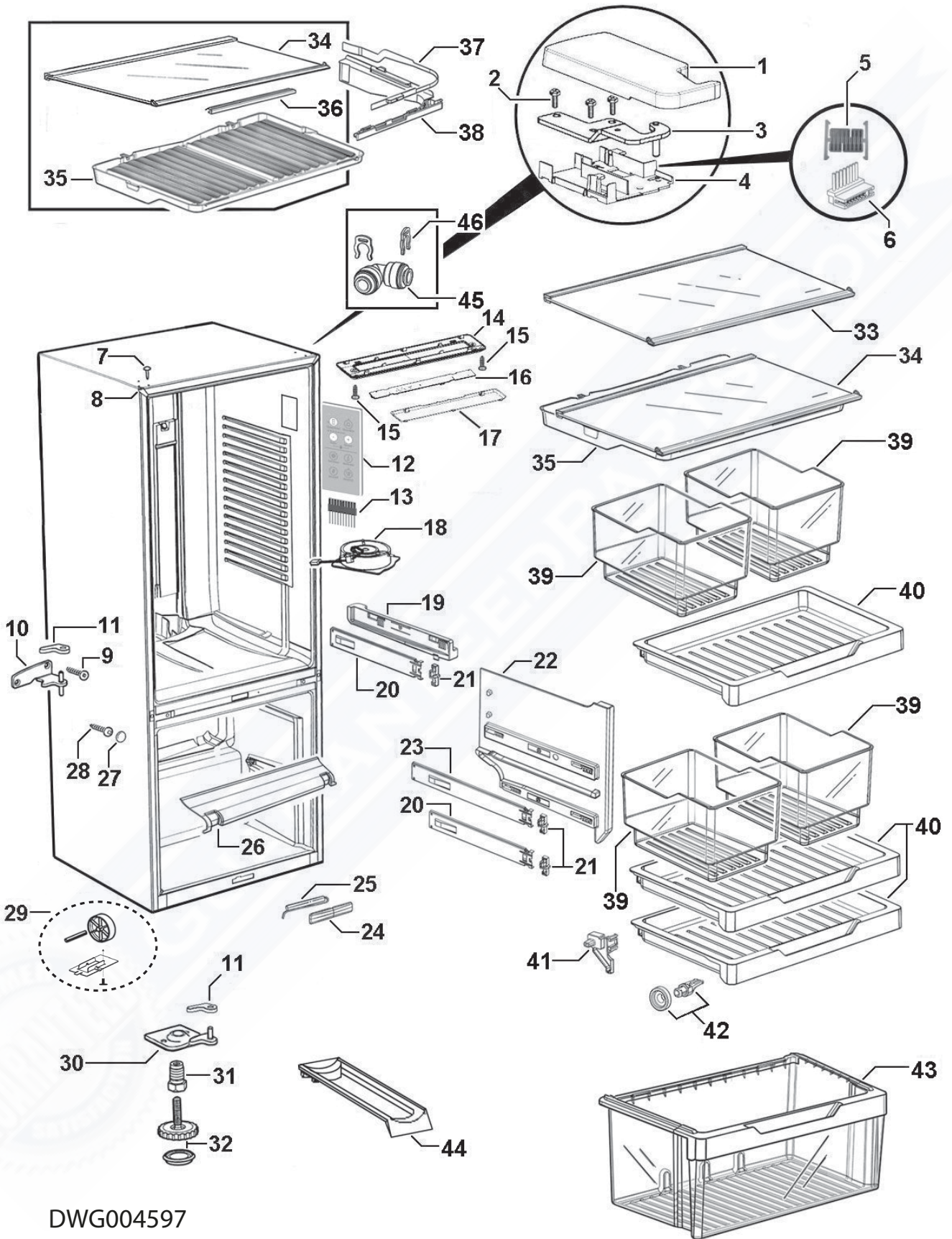
DWG004597



## CABINET COMPONENTS

REFERENCE	PART NUMBER	PART DESCRIPTION
1	841534	COVER HINGE TOP LONG RH GR
2	817818P	SCREW M5X20 HEX PH ST TV (PKT 10)
3	820652	BRACKET HINGE IW RH ASSY
4	821943P	SUPPORT HINGE RH RF FREESTANDING
5	821917	CONNECTOR PCB RAST 8 WAY
6	873279	CONNECTOR RAST 7234-008-500
7	883948P	PLUG TAPPED HOLE SILVER (PKT 3)
8	883951	TRIM CORNER SILVER 680/790
9	880656P	SCREW 10GX25CSK SQ SS (PKT 10)
10	881283P	BRACKET CTR HINGE RH (PKD)
	Includes 883988P	CAP DOOR CLOSING RH HGE BRKT G
11	883988P	CAP DOOR CLOSING RH HGE BRKT G
12	821286P	MOD DISP AS U2 INT 8 BUT SVC
13	838437	HARNESS DISPLAY SPARES
14	820736	HOUSING FRONT LED PC
15	817816P	SCREW 6 X12 AB TRUSS PH ST TV (PKT 10)
16	820743P	MOD LAMP AS 2LED ROHS SVC
	Includes 820736	HOUSING FRONT LED PC
17	820737	WINDOW LED PC
18	848320P	PC 3W FAN ASSY JST/DCT
	Includes	FAN HOUSING PC ASSY
	Includes	DUCT JUNCTION
	Includes	CONNECTOR IDC UP2 (2)
	Includes	LABEL WARNING 12 VOLT DC
	Includes	SHEET INSTRUCTION PC FAN ASSY
19	836808	RETAINER & SLIDE 680 RH ASSY RC
	Includes	RETAINER SLIDE PC B RH
	Includes 836700	SLIDE 305 RH ASSEMBLY
	Includes 836520P	CLIP SLIDE
	836807	RETAINER & SLIDE 680 LH ASSY RC
	Includes	RETAINER SLIDE PC B LH
	Includes 836701	SLIDE 305 LH ASSEMBLY
	Includes 836520P	CLIP SLIDE

# CABINET COMPONENTS

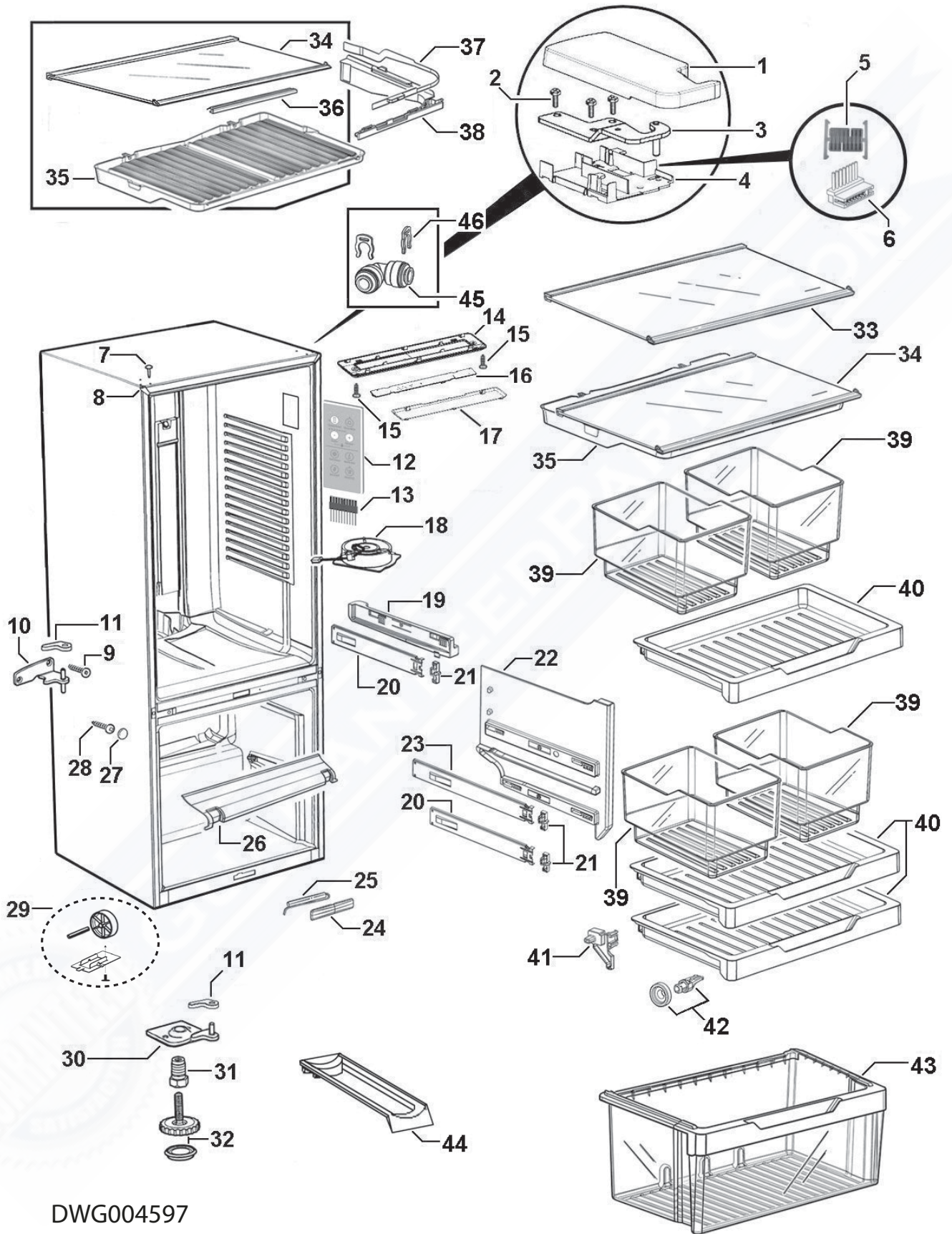


DWG004597

## CABINET COMPONENTS

REFERENCE	PART NUMBER	PART DESCRIPTION
<b>20</b>	<b>836700</b>	<b>SLIDE 305 RH ASSEMBLY RC</b>
	Includes 836520P	CLIP SLIDE
	<b>836701</b>	<b>SLIDE 305 LH ASSEMBLY RC</b>
	Includes 836520P	CLIP SLIDE
<b>21</b>	<b>836520P</b>	<b>CLIP SLIDE (PKT 2)</b>
<b>22</b>	<b>836545</b>	<b>RETAINER SLIDE FC RH</b>
	<b>836546</b>	<b>RETAINER SLIDE FC LH</b>
<b>23</b>	<b>836702</b>	<b>SLIDE 355 RH ASSEMBLY</b>
	Includes 836520P	CLIP SLIDE
	<b>836703</b>	<b>SLIDE 355 LH ASSEMBLY</b>
	Includes 836520P	CLIP SLIDE
<b>24</b>	<b>884011</b>	<b>COVER REED SWITCH ST4 SILVER</b>
	<b>881420</b>	<b>COVER REED SWITCH WHITE ST4</b>
<b>25</b>	<b>814443P</b>	<b>SWITCH REED FIELD FIX KIT ST4</b>
	Includes	HEATSHRINK 1/8" MW ADHESIVE LINED
<b>26</b>	<b>836593</b>	<b>DUCT RETURN AIR FC 635</b>
<b>27</b>	<b>883953P</b>	<b>CAP SCREW CROSS RAIL SILVER</b>
	<b>880595P</b>	<b>CAP SCREW CROSS RAIL WHITE</b>
<b>28</b>	<b>817822P</b>	<b>SCREW #10X19 AB #2 SQ TV (PKT 10)</b>
<b>29</b>	<b>847316P</b>	<b>RETAINER WHEEL STEEL KIT</b>
	Includes	RETAINER WHEEL STEEL
	Includes	SCREW 8-32X8 TY T PAN PH TV
	Includes	ROLLER FOOT FRONT
	Includes	PIN ROLLER PLATED
<b>30</b>	<b>818614P</b>	<b>BRACKET HINGE BASE RH (PKD)</b>
	Includes 883988P	CAP DOOR CLOSING RH HGE BRKT G
<b>31</b>	<b>813481</b>	<b>BOLT BLIND END HINGE BRACKET</b>
<b>32</b>	<b>880512</b>	<b>FOOT LEVELLING ASSEMBLY</b>
	Includes	WHEEL LEVELLING FOOT ASSY
	Includes	BASE LEVELLING FOOT
<b>33</b>	<b>821037</b>	<b>SHELF GL PC 635 ASSY SC</b>
	Includes	SHELF GLASS PC 635
	Includes	TRIM SHELF PC 635 SC
	Includes	STIFFENER SHELF PLASTIC PC SC
	Includes 836567	PLUG TRIM SHELF RH
	Includes 836568	PLUG TRIM SHELF LH

# CABINET COMPONENTS

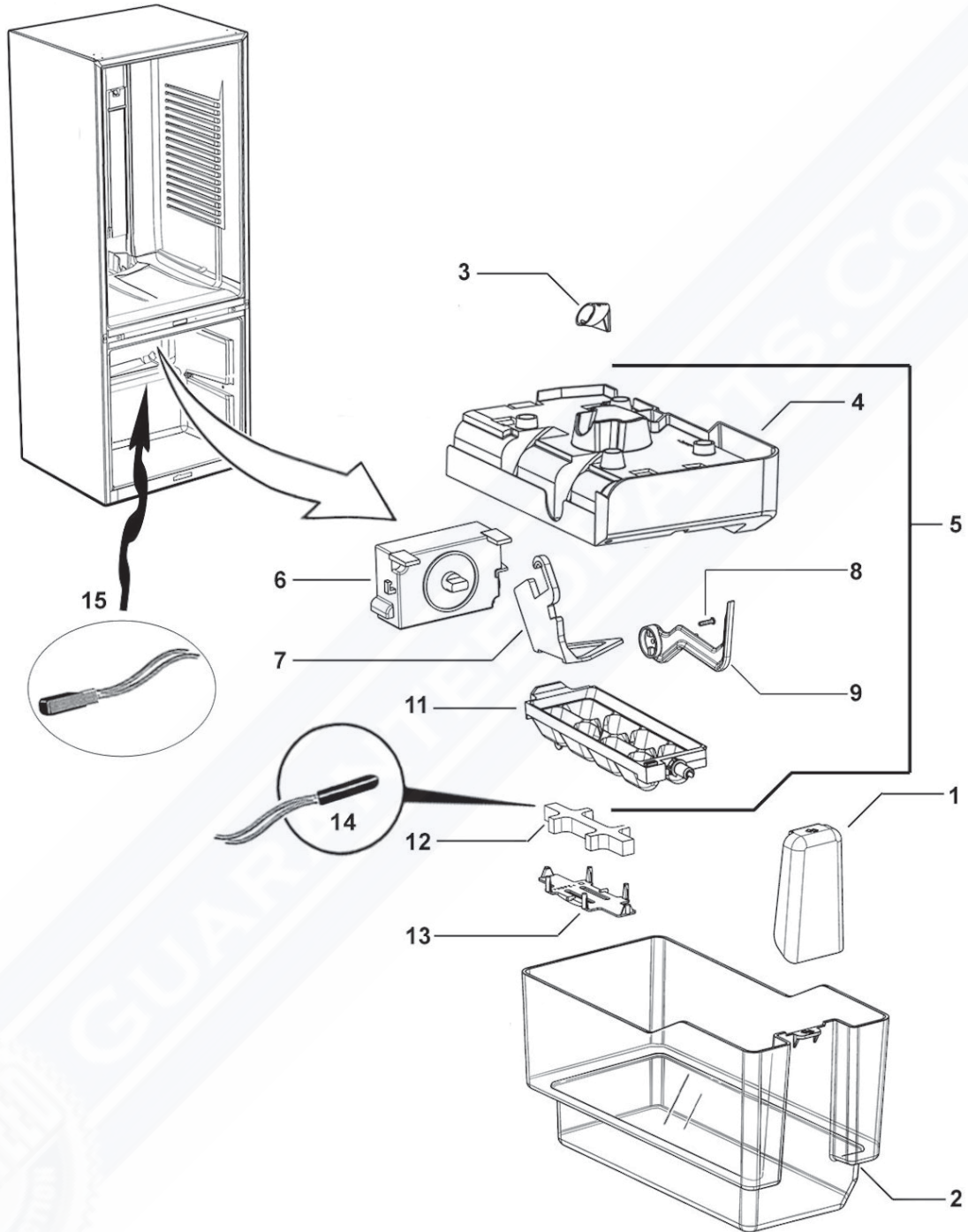


DWG004597

## CABINET COMPONENTS

REFERENCE	PART NUMBER	PART DESCRIPTION
<b>34</b>	<b>821038</b>	<b>SHELF GL HCL 635B ASSY SC</b>
	Includes	SHELF GLASS PC 635
	Includes	TRIM SHELF HCL 635 SC
	Includes	STIFFENER SHELF PC 635 SC
	Includes 836567	PLUG TRIM SHELF RH
	Includes 836568	PLUG TRIM SHELF LH
	Includes 836580	RETAINER HCL FRONT 635
<b>35</b>	<b>836729</b>	<b>LID HUMIDITY CONTROL 635B</b>
<b>36</b>	<b>836580</b>	<b>RETAINER HCL FRONT 635</b>
<b>37</b>	<b>836633</b>	<b>SLIDE CTRL HUMIDITY LH</b>
	<b>836631</b>	<b>SLIDE CTRL HUMIDITY RH</b>
<b>38</b>	<b>836634</b>	<b>GUIDE CTRL HUMIDITY LH</b>
	<b>836632</b>	<b>GUIDE CTRL HUMIDITY RH</b>
<b>39</b>	<b>836522</b>	<b>BIN SMALL</b>
<b>40</b>	<b>836512</b>	<b>TRAY 635</b>
<b>41</b>	<b>836585</b>	<b>SKID TRAY RH</b>
	<b>836586</b>	<b>SKID TRAY LH</b>
<b>42</b>	<b>836517</b>	<b>WHEEL &amp; CHASSIS ASSEMBLY (PKT 2)</b>
<b>43</b>	<b>836659</b>	<b>BIN LARGE 635 ASSY</b>
<b>44</b>	<b>860593</b>	<b>HOLDER BOTTLE SINGLE ASSY</b>
<b>45</b>	<b>837192</b>	<b>CONNECTOR WATER ELBOW C10308W</b>
<b>46</b>	<b>837193P</b>	<b>COLLET LOCKING CLIP PIC1808R (PKT 2)</b>
<b>NI</b>	<b>819264</b>	<b>KIT JOINER SILVER</b>

# ICEMAKER COMPONENTS & ICE BIN



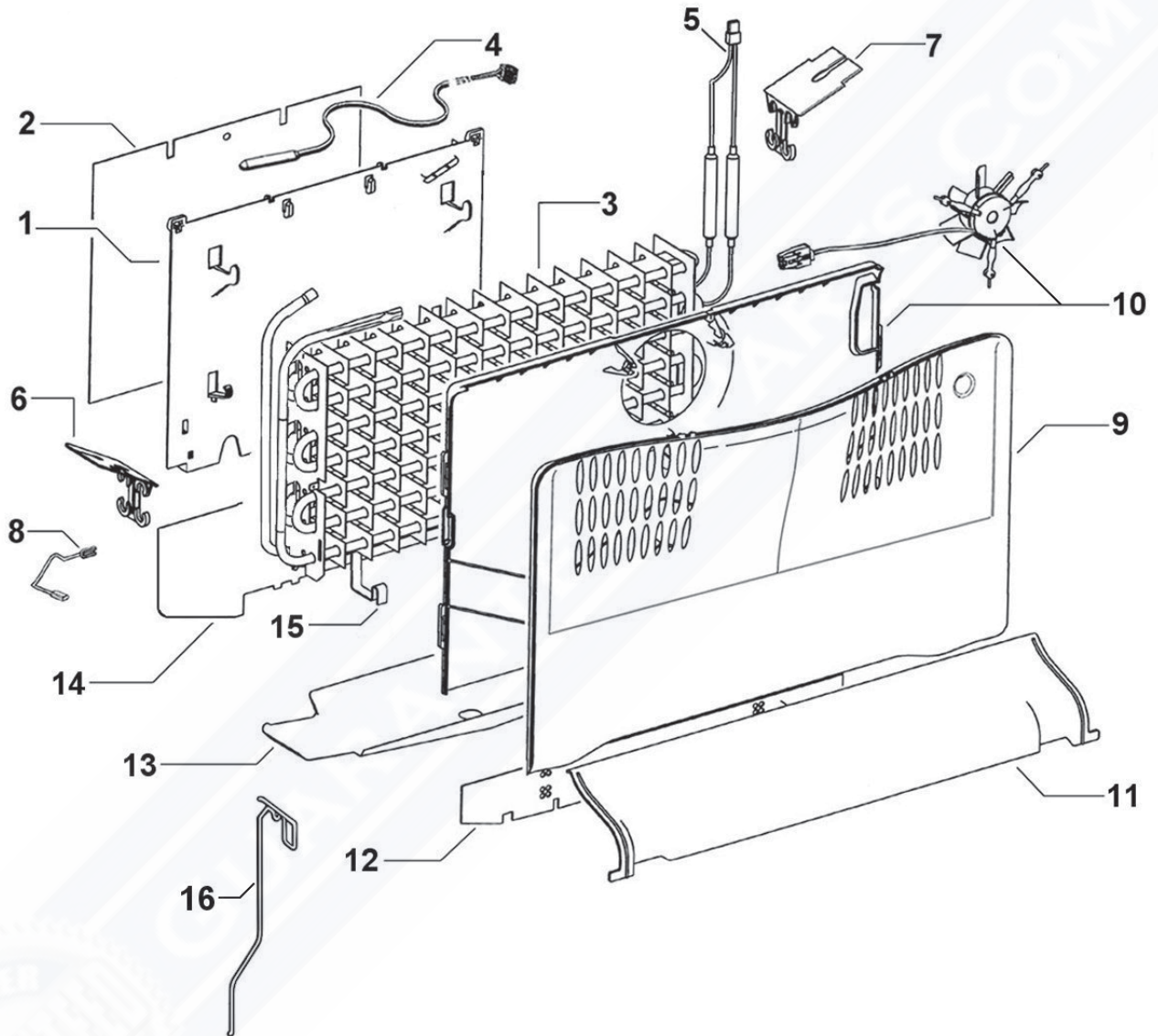
DWG002685 JULY 2012

DWG 002685

## ICEMAKER COMPONENTS & ICE BIN

REFERENCE	PART NUMBER	PART DESCRIPTION
<b>1</b>	<b>836929</b>	<b>SCOOP ICE</b>
<b>2</b>	<b>836886</b>	<b>BIN AND SCOOP ASSEMBLY</b>
	Includes 836928	BIN ICE
	Includes 836929	SCOOP
<b>3</b>	<b>836936</b>	<b>SPIGOT FILL ICE MAKER</b>
<b>4</b>	<b>836915</b>	<b>HOUSING ICE MAKER</b>
<b>5</b>	<b>820833P</b>	<b>ICEMAKER ASSEMBLY LARGE</b>
	Includes 820841	TRAY ICE AUTO LARGE
	Includes 836910	LEVER GEAR BOX ICE
	Includes 836915	HOUSING ICE MAKER
	Includes 836934	GEARBOX ICE MAKER
	Includes 836948	SCREW 6X1/2 PAN PH SS
<b>6</b>	<b>836934</b>	<b>GEARBOX ICE MAKER</b>
<b>7</b>	<b>836912</b>	<b>LEVER BIN DETECT</b>
<b>8</b>	<b>836948P</b>	<b>SCREW 6X1/2 PAN PH SS (PKT 10)</b>
<b>9</b>	<b>836910</b>	<b>LEVER GEAR BOX ICE</b>
<b>11</b>	<b>820841</b>	<b>TRAY ICE AUTO LARGE</b>
<b>12</b>	<b>836909</b>	<b>FOAM CLIP SENSOR</b>
<b>13</b>	<b>837180</b>	<b>CLIP SENSOR ICE TRAY</b>
<b>14</b>	<b>321107</b>	<b>ICE MAKER SENSOR LEAD WIRE KIT</b>
	Includes	SENSOR THERMISTOR ICE MAKER
	Includes	CONNECTOR IDC UY2 - 3MS
	Includes	INSTRUCTIONS ICE SENSOR KIT
<b>15</b>	<b>821689P</b>	<b>ICE FILL TUBE HEATER KIT MK2</b>

# FAN, COVERS & EVAPORATOR ASSEMBLIES



DWG002725 MAY 2012

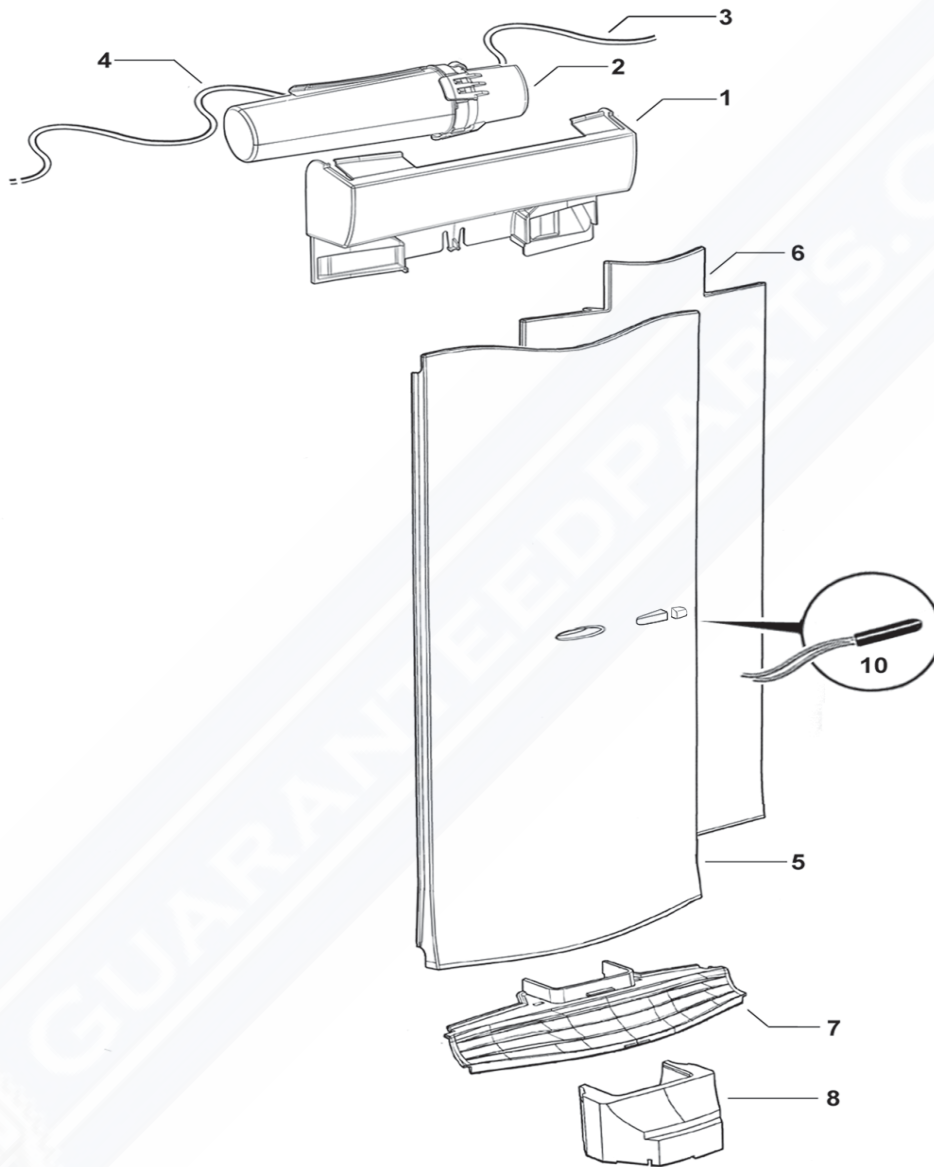
DWG 002725



## FAN, COVERS & EVAPORATOR ASSEMBLIES

REFERENCE	PART NUMBER	PART DESCRIPTION
<b>1</b>	<b>814446</b>	CHASSIS EVAP 635 B
<b>2</b>	<b>880423P</b>	DEF HRT CHASSIS
<b>3</b>	<b>837332P</b>	EVAP ASSY 635B 230V DP
	Includes	EVAPORATOR FINNED 635 R600A
	Includes 814446	CHASSIS EVAP 635 B
	Includes 814631	SHIELD EVAP B CHASSIS
	Includes 821875	HEATER DEFROST DBLE 230V 635
	Includes 880423P	DEF HRT CHASSIS
	Includes 820604	CLIP EVAP BAFFLE
	Includes 813992	CLIP ACTIVE SMART BAFFLE
	Includes 820835	CLIP DEFROST HEATER B SHORT (2)
	Includes 814460	HARNESS EARTH 100MM
	Includes	CABLE TIE 200MMX3.6
<b>4</b>	<b>855203P</b>	SENSOR KIT ASSY
	Includes	CONNECTOR BUTT
	Includes	HARNESS SENSOR PC
<b>5</b>	<b>821875</b>	HEATER DEF DBL 230V 635
<b>NI</b>	<b>821745</b>	COVER PLUG TYCO
<b>6</b>	<b>813992</b>	CLIP ACTIVE SMART BAFFLE
<b>7</b>	<b>820604</b>	CLIP EVAP BAFFLE
<b>8</b>	<b>814460</b>	HARNESS EARTH 100MM
<b>9</b>	<b>883289</b>	COVER FAN FC FRONT B
<b>10</b>	<b>848314P</b>	FAN FC KIT 635 SERIES A TO
	Includes 880409P	COVER HEAT SHIELD ALUM 635
	Includes	COVER FAN FC REAR 635
	Includes	CONNECTOR IDC UP2 (2)
	Includes	FAN DC SUSPENDEED FC ASSY
<b>11</b>	<b>836593</b>	DUCT RETURN AIR FC 635
<b>12</b>	<b>880409P</b>	COVER HEAT SHIELD ALUM 635 P42
<b>13</b>	<b>872831</b>	SHIELD DRAIN HTR DEFROST 635B
<b>14</b>	<b>814631</b>	SHIELD EVAP B CHASSIS
<b>15</b>	<b>820835</b>	CLIP DEFROST HEATER B SHORT
<b>16</b>	<b>821251</b>	WIRE DRAIN HEATER DOUBLE B

# WATER TANK & DUCT COVERS

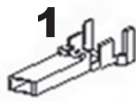


DWG002721 APRIL 2012

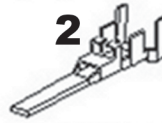
## WATER TANK & DUCT COVERS

REFERENCE	PART NUMBER	PART DESCRIPTION
<b>1</b>	<b>836849</b>	<b>COVER DUCT TOP WATER</b>
	Includes	TAPE FOAM 440X6X3 S/CELL P3
<b>2</b>	<b>836846</b>	<b>TANK DISPENSER ASSEMBLY</b>
	Includes	CAP TANK DISPENSER
	Includes	BASE TANK DISPENSER
	Includes	BAFFLE TANK DISPENSER
<b>3</b>	<b>836857</b>	<b>TUBE FILTER WATER 1/4" 4 MTR</b>
<b>4</b>	<b>837162</b>	<b>TUBE WATER TANK INLET</b>
<b>5</b>	<b>836861</b>	<b>COVER DUCT PC B LONG WATER</b>
<b>6</b>	<b>873950</b>	<b>INSULATION COVER DUCT LONG B</b>
<b>7</b>	<b>813287</b>	<b>GRILLE PC RETURN AIR B MODEL</b>
<b>8</b>	<b>872823</b>	<b>INSULATION INSERT PID</b>
<b>10</b>	<b>855203P</b>	<b>SENSOR KIT ASSY ACTV SM</b>
	Includes	HEATSHRINK 25MM
	Includes	HARNESS SENSOR PC
	Includes	CONNECTOR BUTT (2)
	Includes	SHEET INSTRUCTN BUTT CONNECTORS

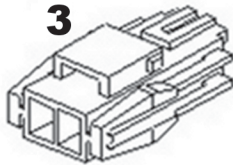
# TERMINAL, PLUGS & SOCKETS



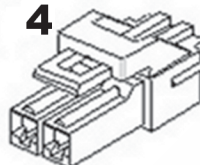
**1**  
JST SOCKET TERMINAL



**2**  
JST PIN TERMINAL



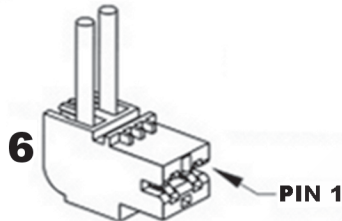
**3**  
JST SOCKET



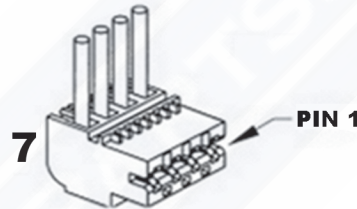
**4**  
JST PLUG



**5**  
JST RETAINER



**6**  
RAST CONNECTOR



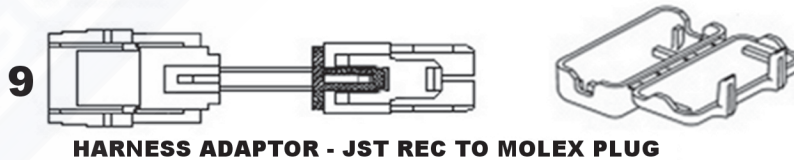
**7**  
RAST CONNECTOR

**NOTE THAT IN THE PART NAMES OF THESE CONNECTORS, THE -02- REFERS TO IT BEING A 2 WAY CONNECTOR, AND THE -AB01-(FOR EXAMPLE) REFERS TO THE CODING OF THE CONNECTOR.**

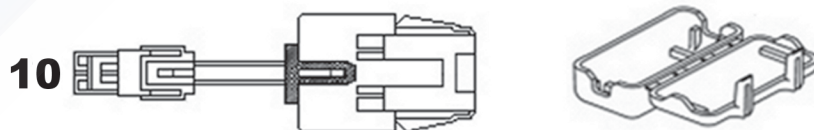


**8**  
RAST CONNECTOR

**NOTE: TO MINIMISE THE NUMBER OF SPARE PARTS THAT NEED TO BE CARRIED, THESE CODED CONNECTORS ARE TO BE REPLACED WITH THEIR UNCODED EQUIVALENTS FOR THE 3, 5 AND 6 WAY CONNECTORS USED ON STAGE 4 CABINETS.**



**9**  
HARNESS ADAPTOR - JST REC TO MOLEX PLUG



**10**  
HARNESS ADAPTOR - JST PLUG TO MOLEX REC

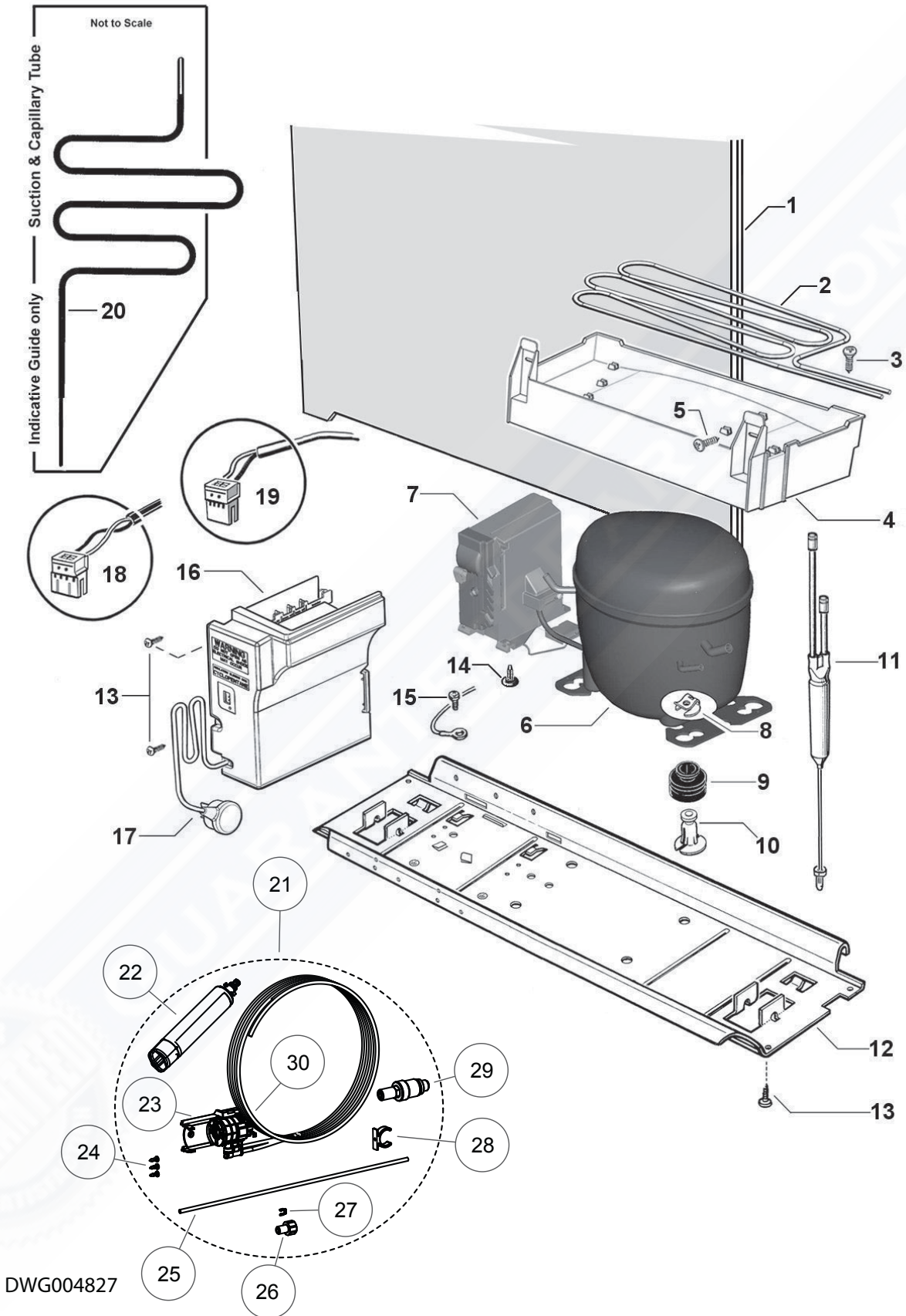
DWG002630 FEBRUARY 2012

## TERMINAL, PLUGS & SOCKETS

REFERENCE	PART NUMBER	PART DESCRIPTION	COMMENTS
1	819607P	TERMINAL SYF-01T PKT 10	26/20 AWG
	819608P	TERMINAL SYF-41T PKT 10	20/16 AWG
2	819609P	PIN/TERM SYM-01T PKT 10	26/20 AWG
	819610P	PIN/TERM SYM-41T PKT 10	20/16 AWG
3	819615	JST SOCKET 2PIN YLR-02V	
	819616	JST SOCKET 3PIN YLR-03V	
	819617	JST SOCKET 4PIN YLR-04V	
	819618	JST SOCKET 6PIN YLR-06VF	
	819619	JST SOCKET 8 PIN YLR-08V	
4	819611	JST PLUG 2PIN YLP-02V	
	819612	JST PLUG 4PIN YLP-04V	
	819613	JST PLUG 6PIN YLP-06V	
	819614	JST PLUG 8PIN YLP-08V	
5	819620	RETAINER 2 WAY YLS-02V	
	819621	RETAINER 3 WAY YLS-03V	
6	881588	CONNECTOR RAST 9290-02-AB01	MAINS CORD
	881589	CONNECTOR RAST 9290-02-BA01	DEFROST HEATER
	881590	CONNECTOR RAST 9290-02-EE01	RUN CAPACITOR
7	881591	CONNECTOR RAST 9290-04-EF02	COMPRESSOR CABLE
8	873251	CONNECTOR RAST 7234-003-500	
	873250	CONNECTOR RAST 7234-004-500	
	881135	CONNECTOR RAST 7234-005-500	
	873247	CONNECTOR RAST 7234-006-500	
	873279	CONNECTOR RAST 7234-008-500	
	873248	CONNECTOR RAST 7234-010-500	
	873243	CONNECTOR RAST 7234-012-500	
	881136	CONNECTOR RAST 7234-014-500	
	881137	CONNECTOR RAST 7234-017-502	
9	820687P	ADAPTOR JST REC TO MOLEX KIT	
	Includes 884412	COVER PLUG MOLEX	
10	820688P	ADAPTOR JST PLUG TO MOLEX KIT	
	Includes 884412	COVER PLUG MOLEX	

**NOTE:** THE NUMBERS IN THE DESCRIPTION OF THE RAST CONNECTOR DENOTES THE NUMBER OF CONNECTIONS - EXAMPLE: 7234-017-502 =17 WAY CONNECTOR

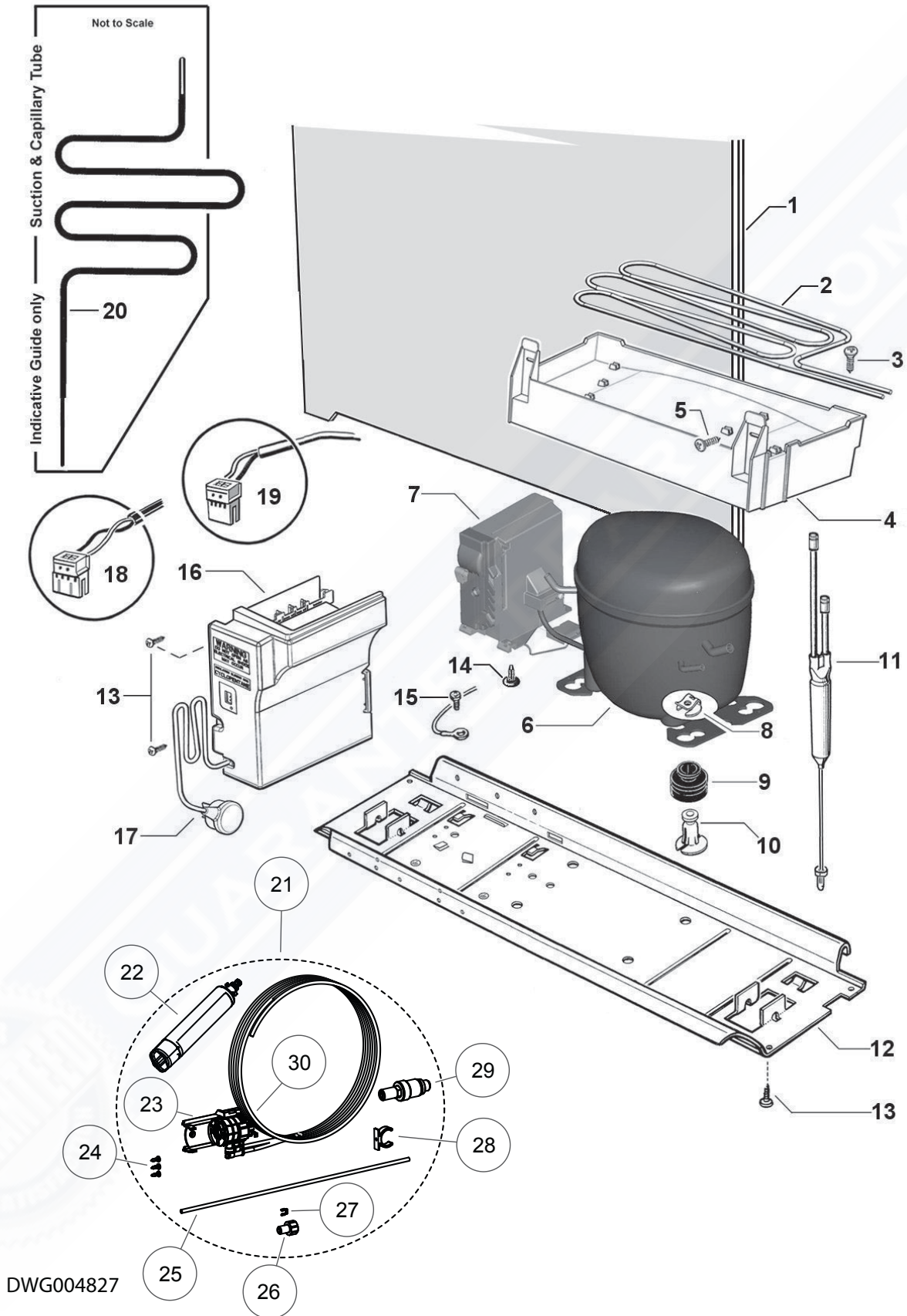
# COMPRESSOR AREA COMPONENTS



## COMPRESSOR AREA COMPONENTS

REFERENCE	PART NUMBER	PART DESCRIPTION
1	874881	PANEL BACK ASSY 400H,395B,N388
2	814684	TUBE EVAP TRAY FORMED H/SHK 68
3	815236P	SCREW #12X1/2 CSK PH TV (PKT 10)
4	820734	TRAY EVAP AS
5	817817P	SCREW #8X12 SP PAN NIB ST TV (PKT 10)
6	207432P	COMPR PKD EMB VESD9CEVO
	includes	COMPR EMB VESD9CEVO
	includes 207310	COVER PROTECTOR VEM
	includes 814843	FILTER PREBRAZED LONG TAIL
	includes	PIN LOCKING COMP
	includes	POST COMP MOUNTING 26MM (4)
	includes	GROMMET COMPR MTG 26MM (4)
	includes	CLIP FOOT COMPRESSOR (4)
7	207436	INVERTER VEMC9C 230V
8	855270P	CLIP FOOT COMPRESSOR (PKT 4)
9	849622P	GROMMET 16.5MM KIT 4 PACK
	includes	POST COMP MOUNTING 16.5MM
	includes	GROMMET COMPR MTG 16.5MM
	includes	CLIP FOOT COMPRESSOR
10	NA	REFER TO ITEM #9 - KIT ONLY
11	814843P	FILTER LONG TAIL XH9 12GRM
12	820335	TRAY COMP MOUNTING 635VCC
13	817829P	SCREW 8X16 SP PAN NIB TV (PKT 10)
14	813271	CLIP INVERTER MOUNTING
15	817828P	SCREW 8-32X8 TY T PAN PH TV (PKT 10)
16	847818P	MOD CNTRL F AS51 120-230V SVC
17	817837	CABLE SUPPLY SING/UK
18	821475	HARNESS VCC INV EXT
19	821475	HARNESS VCC INV EXT
20	821259	TUBE SUCT CAP ASSY 5/16 ROHS

# COMPRESSOR AREA COMPONENTS





## COMPRESSOR AREA COMPONENTS

REFERENCE	PART NUMBER	PART DESCRIPTION
<b>21</b>	<b>848108</b>	<b>KIT INSTALL FILTER WATER GB EU</b>
	includes 821756	VALVE PRESSURE LIMIT 600KPA 85
	includes 837193	CLIP COLLET LOCKING PIC1808R
	includes 847200	REFRIGERATOR WATER FILTER
	includes 847312	HEAD FILTER WATER 90 DEG FS
	includes 847480	BRACKET FILTER WATER ASSY
	includes 847613	ADAPTOR TAP 1/4 OD 3/4 BSP
	includes 847848	TUBE FILTER WATER 1/4" 500MM
	includes 611812P	SCREW ST 10X5/8 MSH PAN PKT 10
	includes 847538	BRACKET WALL PLV
<b>22</b>	<b>847200</b>	<b>REFRIGERATOR WATER FILTER</b>
<b>23</b>	<b>847480</b>	<b>BRACKET FILTER WATER ASSY</b>
<b>24</b>	<b>611812P</b>	<b>SCREW ST 10X5/8 MSH PAN PKT 10</b>
<b>25</b>	<b>847848</b>	<b>TUBE FILTER WATER 1/4" 500MM</b>
<b>26</b>	<b>847613</b>	<b>ADAPTOR TAP 1/4 OD 3/4 BSP</b>
<b>27</b>	<b>837193</b>	<b>CLIP COLLET LOCKING PIC1808R</b>
<b>28</b>	<b>847538</b>	<b>BRACKET WALL PLV</b>
<b>29</b>	<b>821756</b>	<b>VALVE PRESSURE LIMIT 600KPA 85</b>
<b>30</b>	<b>847312</b>	<b>HEAD FILTER WATER 90 DEG FS</b>